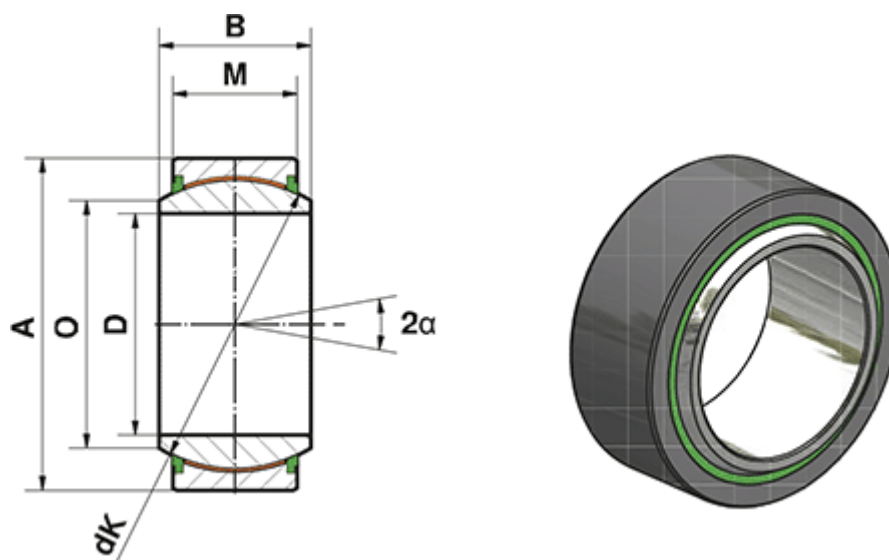


Article number: 03445220

Description: Fluro Heavy Duty Spherical Plain Bearing GE 220 EW-2RS
Hole \varnothing 220

Note: 220

Measures



A	= 320	Static load C ₀ (kN) = 11000
a (degrees)	= 8	Weight (g) = 35500
B	= 135	
D	= 220	
dk	= 275	
Dynamic load C (kN)	= 6600	
M	= 100	
O	= 239.5	